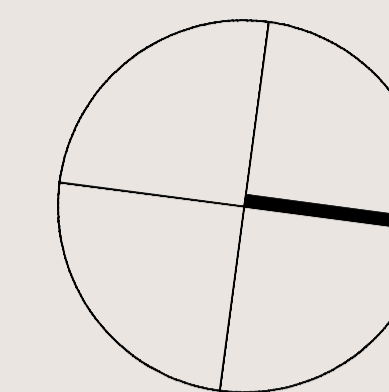
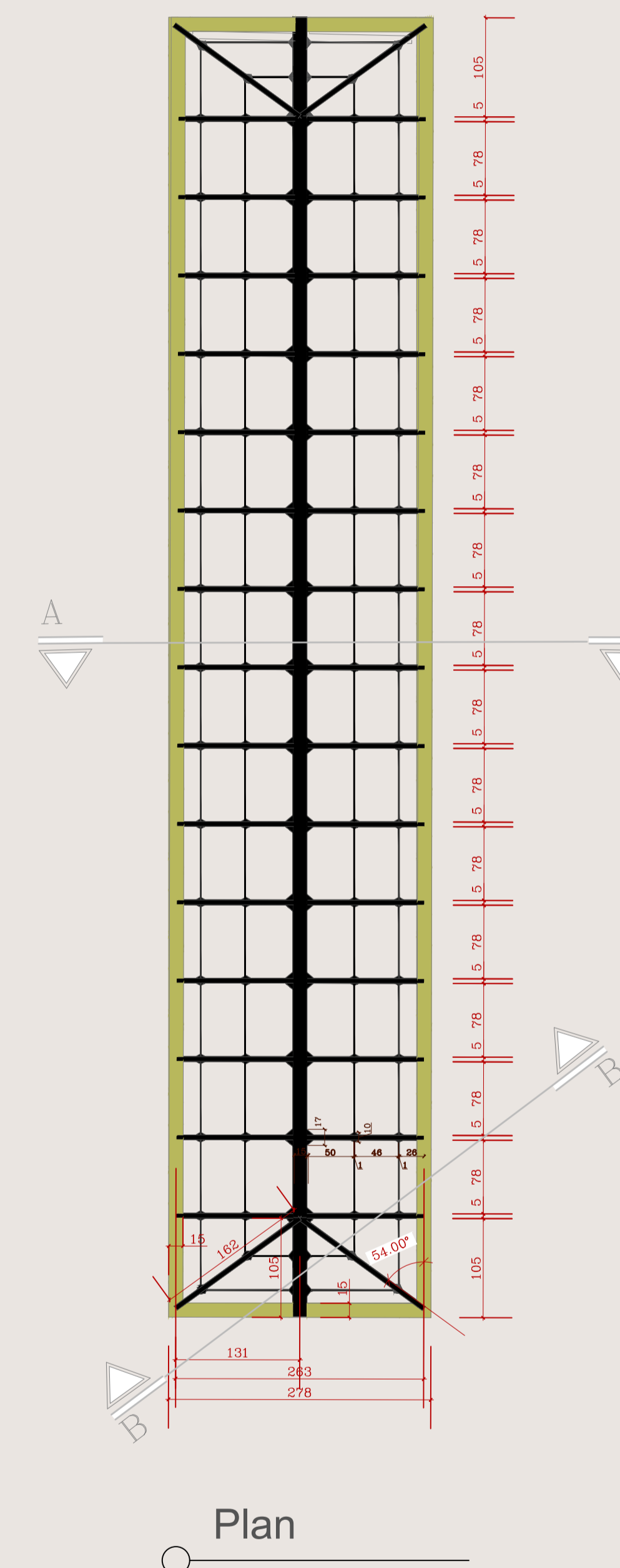
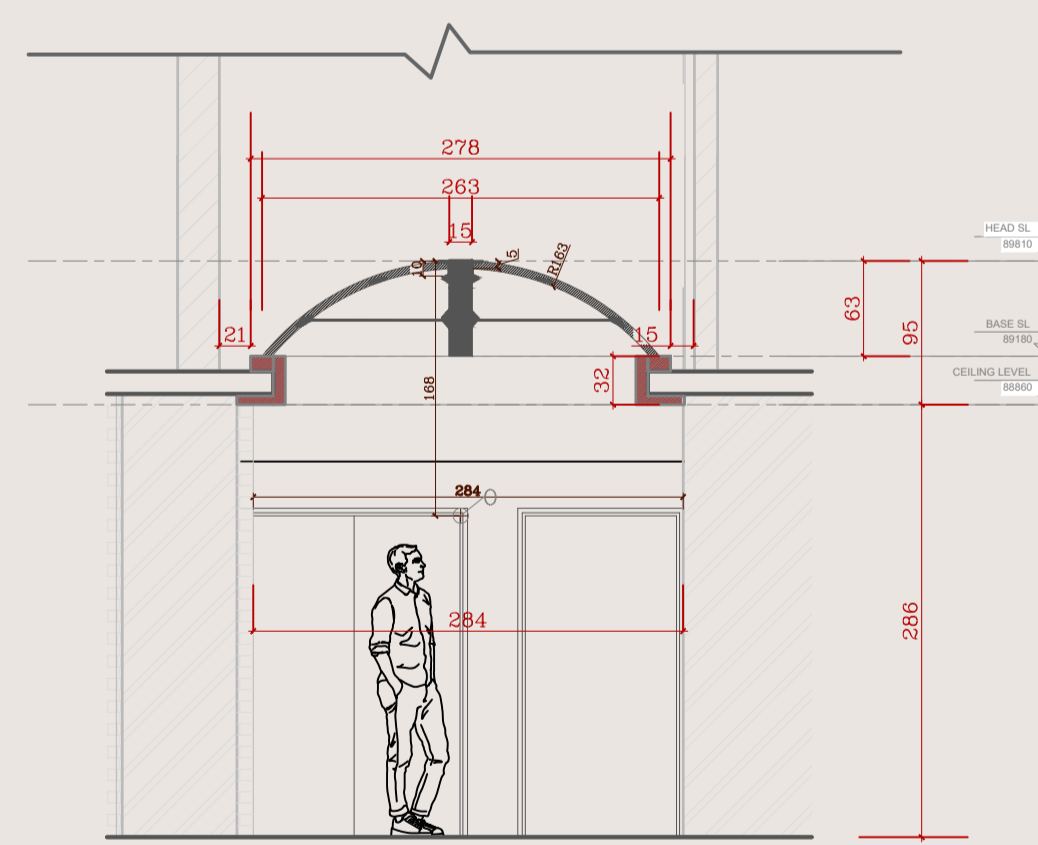
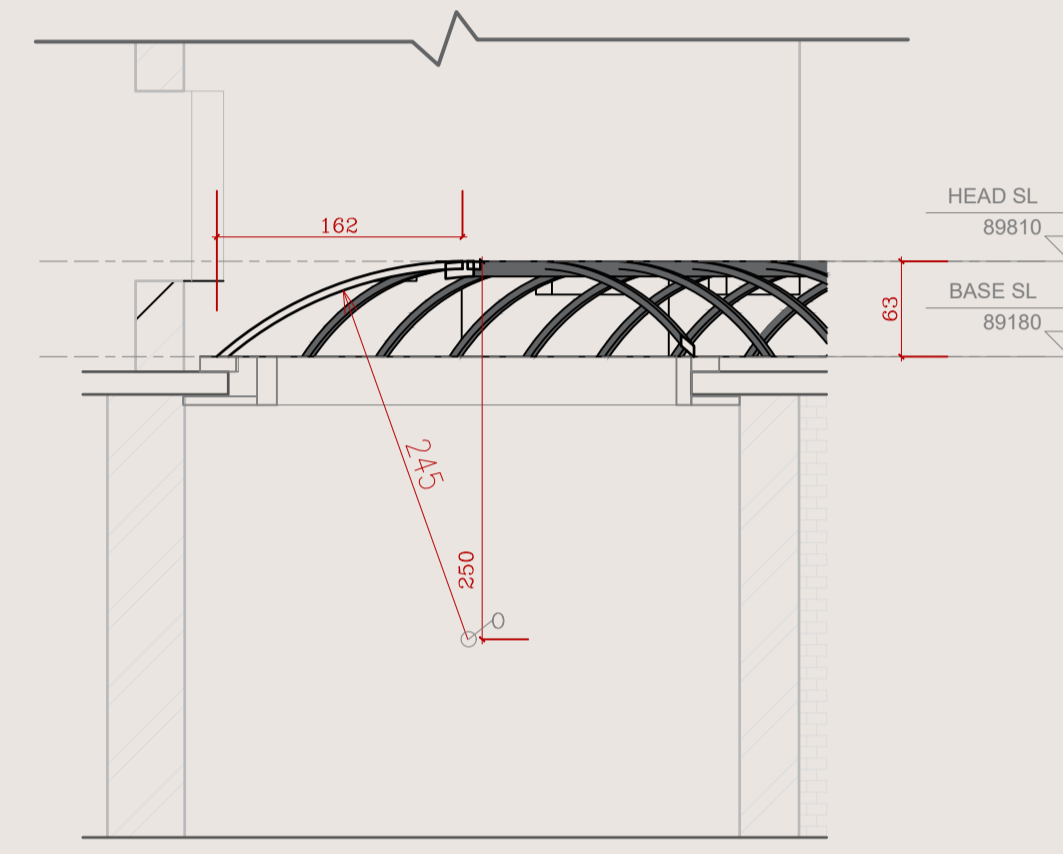
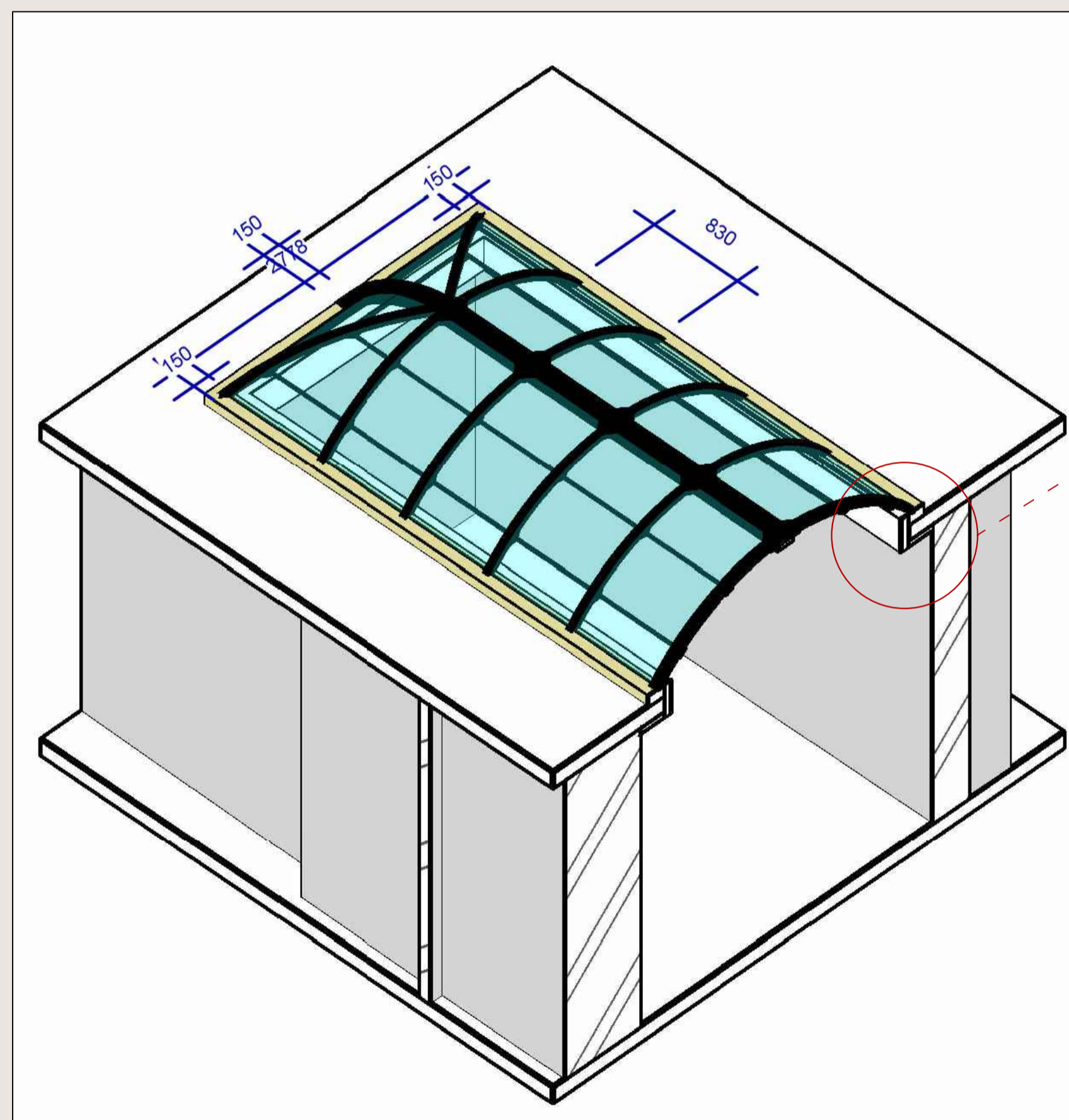
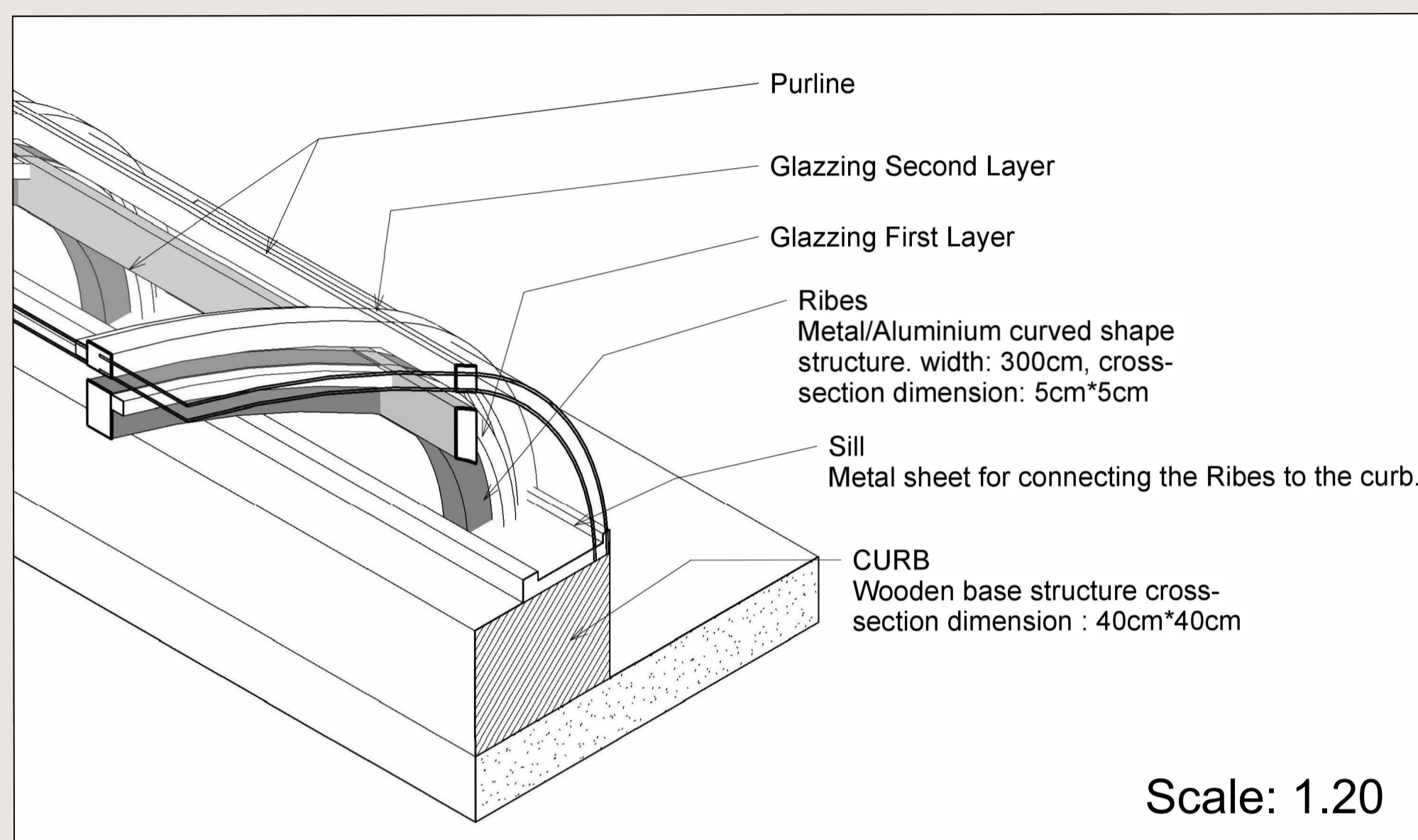


NORTH



NOTES



OWNERSHIP NAME:

**PAYMAN HOLDINGS 5 Ltd**

15 Sherbourne Close, Camvridge, CB4,1RT  
03334444324 ext. 1041

PROJECT NAME:

ROYAL HOTEL KETTERING

SITE Market Place, Kettering, NN16 0AJ

DRAWING TITLE Skylight Drawings

DRAWING STATUS Preliminary

SCALE	DATE	DRAWN	CHECK
1:50 @A1		I.L M.J J.M S.R	M. T.R J.J

DWG NO. .... REVISION

5

# SKYLIGHT DRAWINGS

Scale: 1.50